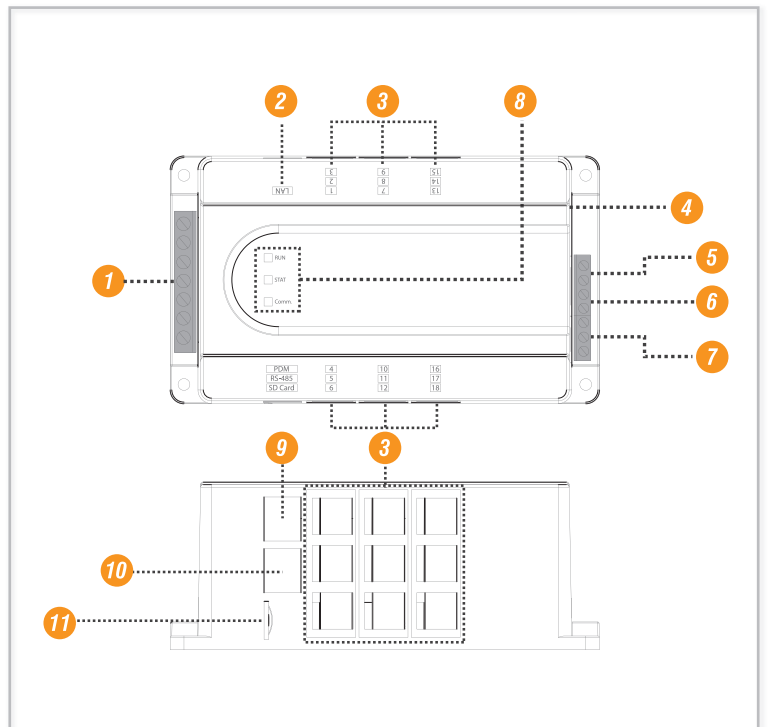


MK119 iPSM54

Ultimate Rack Power Capacity Management Tool

- 🚫 Designed for real-time measuring of rack power consumption status
- 🚫 Branch circuit monitor for PDP(power distribution panel) in data room
- 🚫 Super cost-effective rack power capacity management tool
80% less comparing to Intelligent Rack PDU
- 🚫 Flexible configuration(max. 54 ch) : single phase PDP, 3-phase PDP, mixed PDP
- 🚫 On-the-fly application to existing live PDP without outage
- 🚫 0.5% accuracy for customer billing per usage
- 🚫 Real-time event detection : sag, swell, trip ...
- 🚫 Also applicable to CRAC/CRAH PDP for cooling energy management



1. Voltage Input : Voltage input terminal for measurement
2. Ethernet Port : Communication with Master (Modbus Slave)
3. 1~54 CT Port : CT input terminal
4. Temp. sensor : NTC temperature sensor
5. DO Terminal : Digital Output Terminal
6. DI Terminal : Digital Input Terminal

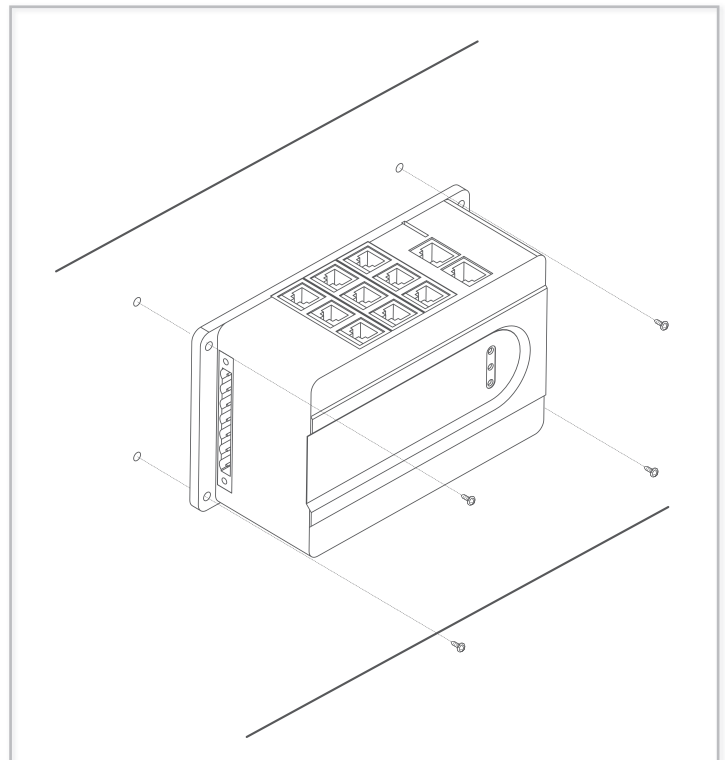
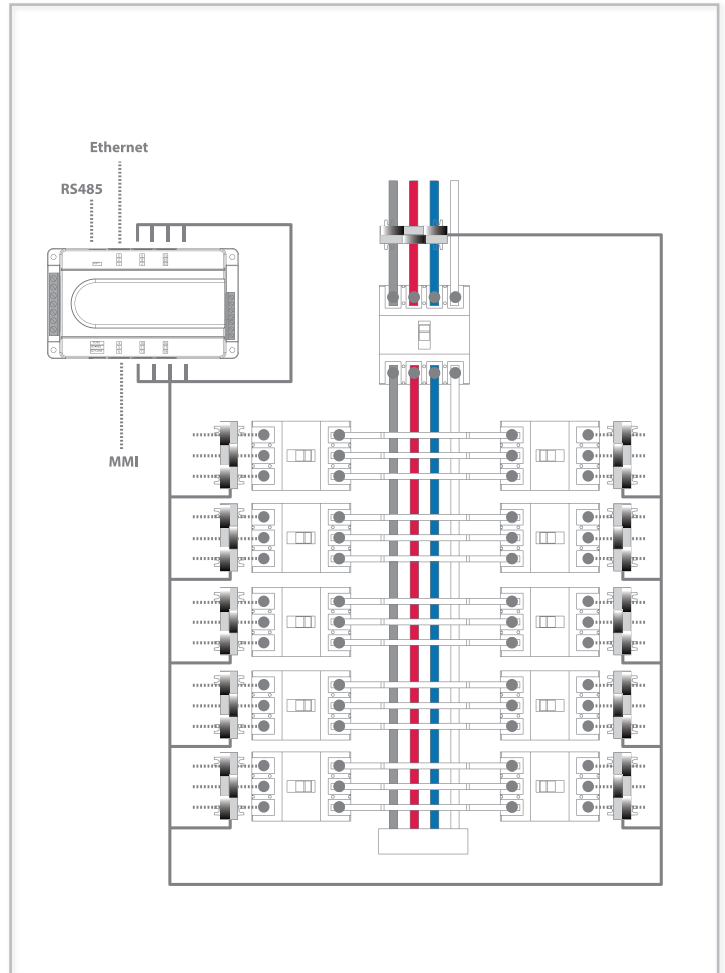
7. Control Power : Control Power (AC/DC 100~240V)
8. StatusLED : RUN - blinking at normal operation
STAT - fast blinking at normal metering
Comm - blinking at normal communication
9. PDM Port : RS232 Port to connect the PC or PDM
10. RS485 Port : RS485 Port to connect the PC, external IO or SCADA system
11. SD Card Slot : Micro SD Card Slot

*Dimension(mm) : 156(w)x90(h)x61(d)

MK119 iPSM54 Branch Circuit Monitor

SPECIFICATIONS

General	
Channel Numbers	Max 54CH
Applied Voltage	Up to 580VAC (Line to Line)
Standards	IEC-62053-21/22
Voltage Input	
Voltage Rating	580VAC (Line to Line) Phase V : V1, V2, V3 - N Line V : V1-V2, V2-V3, V3-V1 Accuracy : F.S. 0.5%
Voltage Unbalance	Phase, Total Digit : 99.99 Unit : %
Frequency	45~65Hz Accuracy : ±0.02Hz
Current Input	
Current Rating	Primary : over 600A, 600A/300A/200A/150A/100A/50A Secondary : 100mA Accuracy : F.S. 1.0/0.5%
Current Unbalance	1. Phase, Total (with 3CT wiring) 2. Digit : 99.99 4. Unit : %
Power Measurement	
Active	Phase, Total Accuracy : 0.5 Class Digit : ±999,999,999 Unit : W
Reactive	Phase, Total Accuracy : 1.0 Class Digit : ±999,999,999 Unit : Var
Apparent	Phase, Total Accuracy : 0.5 Class Digit : ±999,999,999 Unit : VA
Harmonics	THD(% Harmonic reactive power)
Power Factor	Digit : ±100.00 Unit : %
Active Energy	Digit : 99,999,999.9 Unit : kWh
Reactive Energy	Digit : 99,999,999.9 Unit : kVarH
Apparent Energy	Digit : 99,999,999.9 Unit : kVAH
Other	
Sag/Swell	Min. 1/2 cycle
Analog Input	1point : Temperature (NTC/4~20mA)
Digital Input	1point (AC220V input power)
Digital Output	1point (250VAC/5A, 30VDC/5A resistive)
Control Power	100~240VAC/DC(85~110%, Free Voltage)
Environment	
Temperature	-10 ~ 55C (Operation) -25 ~ 70C (Storage)
Humidity	30 ~ 85% RH (non-Condensation)
Communications	
Serial Port	RS-485 1 Port, RS232 1Port
Ethernet Port	10/100 Ethernet 1 Port
Protocol	Modbus RTU, Modbus TCP
EMC	
IEC61000-4-2	Electrostatic discharge (ESD) Level 3
IEC61000-4-3	Radiated disturbance Level 3
IEC61000-4-4	EFT / Burst Level 3
IEC61000-4-5	Surge Level 3
Applied CT	CT Secondary output : 100mA Block CT : BCT-1Φ-30 : single phase 30A BCT-1Φ-50 : single phase 50A BCT-1Φ-125 : single phase 125A BCT-3Φ-60 : three phase 60A BCT-3Φ-125 : three phase 125A BCT-3Φ-250 : three phase 250A Split-CT : SCT-50(17φ) : 50A SCT-150(17φ) : 150A SCT-200(24φ) : 200A SCT-300(24φ) : 300A SCT-400(36φ) : 400A SCT-600(36φ) : 600A



New Micro Accuracy Split-core Current Transformer



JS08W Series



How to use >>>



New flat screw clip type, iSAST JS08W series is micro sized and compact split core CT to stabilize temperature characteristic. On material side, it makes high accuracy due to Nickel Alloy laminating process and on mechanical side, it is designed to open and close clip by turning a flat-head screwdriver for high precision on binding site. As connecting to primary CT (1A / 5A output), JS08W(mA output) can be used to connect to power meter for the application. It is designed with micro size so you can apply with all of requirement as inside or outside of utility, metering system and various solutions.

Applications

- Energy sub - meter
- Power meters
- Power quality monitoring
- HVAC&Pumps, etc
- Distributed measurement system

Benefits

- Small-size, light-weight
- Simple Installation

Specification

Features

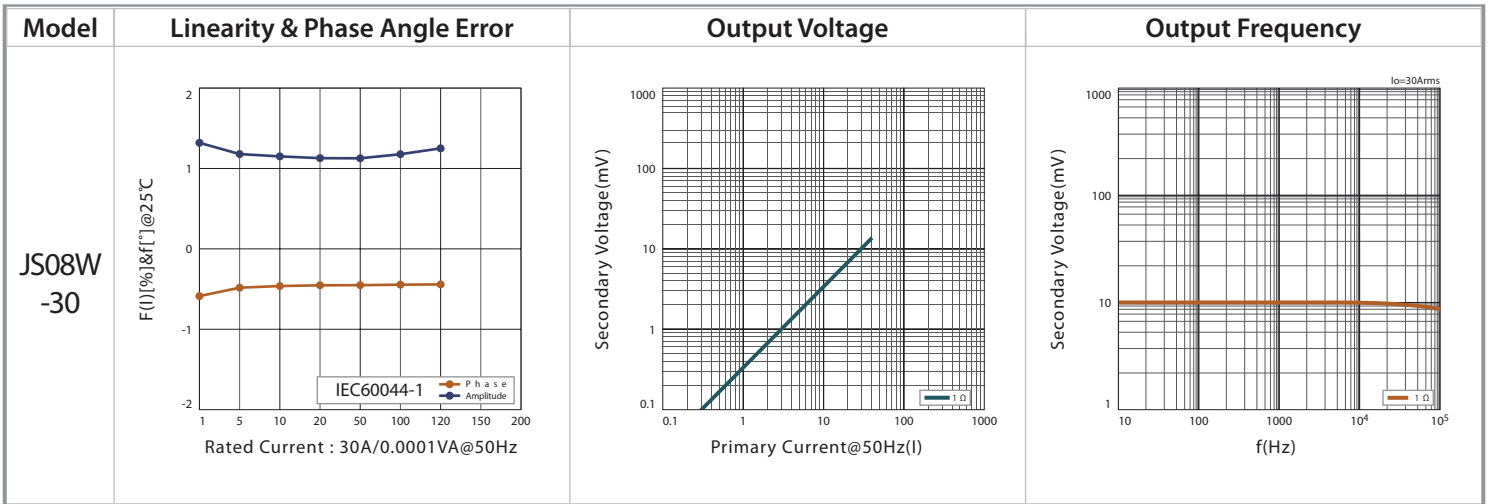
- Output-lead-wire, secure locking hinge, flat screw clip type make easy to install to the existent equipments such as a power distribution boards.
- Isolated plastic case recognized according to UL94-V0
- UL / EN 61010 - 1 certified

Notice

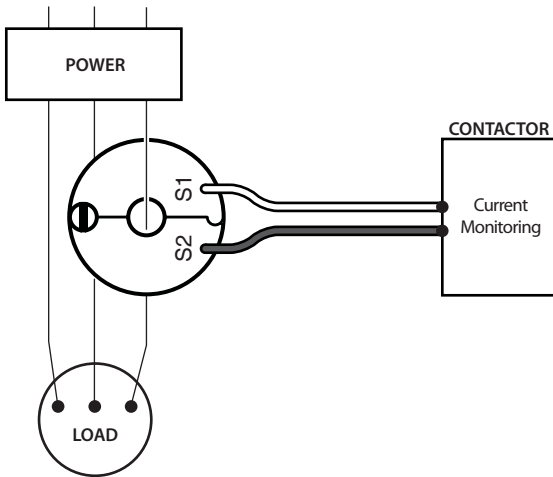
- If you impact the core contact surface, internal core material could be damaged.
- Customizing output lead wire

(F=50/60Hz)

MODEL	JS08W-30
	Ø8.5
Current Ratio	30A/10mA
Current Range	0.01~45A (RL=1Ω)
Max.Continuous Current	70A
Nominal Phase Angle Error	+1 ± 1°
Nominal Linearity Error	-0.5 ~ ±1%
Turns Ratio	3000:1
DCR	240±24Ω
Protection Level	Over-voltage protection circuit is not included, please pay careful attention during installation.
Insulation Category	CAT III
Operating Condition	-20°C~+50°C, ≤85%RH, No condensation, In-house & Any direction installable
Storage Condition	-30°C~+90°C, ≤85%RH, No condensation



Applications



Features

